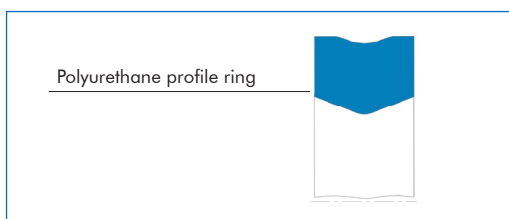


Merkel Pinmatic -
the smart solution

Merkel Freudenberg
Fluidtechnic GmbH



Merkel – Pinmatic



Product description

Single-part Merkel Compact Seal made of polyurethane for link-pin sealing purposes.

Product advantages

- Loss-free and low-maintenance lubricant supply for link-pin seal
- great reliability
- minimum wear
- stable long-term behaviour
- extended service intervals
- insensitive to pressure peaks

The newly developed Merkel Pinmatic Seal ideally meets the demands made on a toggle-lever seal. Excellent functional reliability in conjunction with a specific circulation-system and/or pulse lubrication process is achieved on the basis of the appropriate extrusion resistance provided by the material, polyurethane, as well as of the high line force on the sealing edge.

Material

Material	Code
Polyurethane	95 AU V142

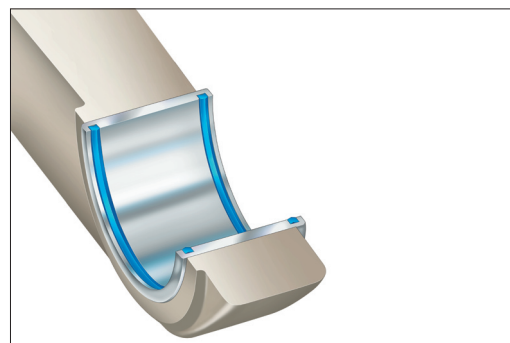
Examples of application

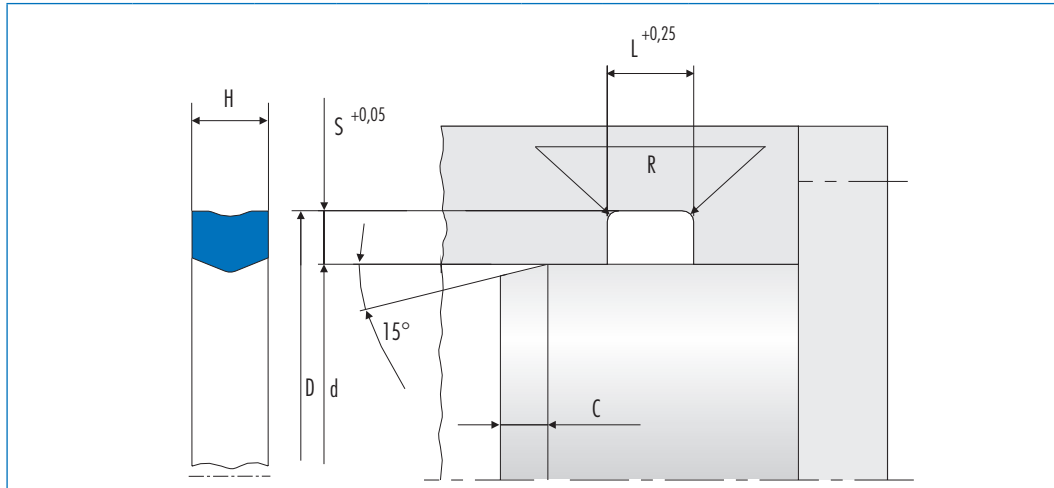
Injection-moulding machines – Toggle levers
Bearings and link pins

Operating conditions

Media	Material 95 AU V142
Hydraulic oils HL, HLP	-30 ... +100 °C
HETG (rapeseed oils)	-30 ... +60 °C
HEES (synthetic esters)	-30 ... +60 °C
Mineral grease	-30 ... +100
Pressure	2 MPa
Running speed (pivoting)	0,2 m/s

The limit values listed in the table do not currently apply for ceramic or semi-ceramic counterfaces. See also *Merkel Technical Manual*.





d	D	S	H	L	C	R	Material	Article No.
35	42	3,5	2,9	3,5	3,5	0,4	95 AU V142	49032618
40	47	3,5	2,9	3,5	3,5	0,4	95 AU V142	49042897
70	77	3,5	2,9	3,5	3,5	0,4	95 AU V142	49032619
80	87	3,5	2,9	3,5	3,5	0,4	95 AU V142	49042898
55	65	5	4,2	5	4,5	0,6	95 AU V142	49059668
65	75	5	4,2	5	4,5	0,6	95 AU V142	49027581
75	85	5	4,2	5	4,5	0,6	95 AU V142	49058095
80	90	5	4,2	5	4,5	0,6	95 AU V142	49040864
80	91	5,5	4,3	5	5	0,6	95 AU V142	49026063
95	110	7,5	5,1	6	6	0,6	95 AU V142	49030381
110	125	7,5	5,1	6	6	0,6	95 AU V142	49027446
130	145	7,5	5,1	6	6	0,6	95 AU V142	49055945

Further dimensions on request.

Amerika

Freudenberg-NOK

Merkel Heavy Industry
11617 State Route 13
Milan, OH 44846/USA
merkel.americas@freudenberg-ds.com

Asien

Merkel Freudenberg Fluidtechnic GmbH

c/o EKK Eagle Industry Asia Pacific Pte. Ltd.
52 Serangoon North Avenue 4
03-02, Ever Tech Building
Singapore 555853
merkel.asia@freudenberg-ds.com

Headquarter Europa

Merkel Freudenberg Fluidtechnic GmbH

Industriestraße 64
21107 Hamburg
Phone: ++40/7 53 06-0
Fax: ++40/7 53 06-440

 **Freudenberg** Ein Unternehmen der
Freudenberg Dichtungs-
und Schwingungstechnik

